



Technical Specifications



MOBOTIX Q26A Hemispheric

Allround Elegance. Allround Secure.

An elegant, ultra-compact and weatherproof dome camera. The Q26A Hemispheric uses a hemispheric B016 lens which is fixed and sharply focused at the factory. Thanks to its 360° allround view for capturing an entire room, a widescreen panorama function and intelligent video analysis tools, the Q26A Hemispheric can be used in countless scenarios.

- Mx6 system platform with H.264 and ONVIF compatibility
- Recording on an internal MicroSD card (4 GB as standard)
- Available in day or night variants (6MP color or B&W sensor)
- Equipped with shock detector and MxAnalytics as standard
- Weatherproof and shock-resistant housing (IP66, IK06)
- Suitable for installation on ceilings, walls or poles
- Optional vandalism protection made of stainless steel

Technical Specifications

MOBOTIX Q26A Hemispheric

Camera Variants	Q26A Day Complete Camera	Q26A Night Complete Camera
Specialties	Factory-assembled Q26A Day or Night camera with sharply focused fisheye special lens	
Lenses	Q26A Day Complete Camera	Q26A Night Complete Camera
Fisheye Lens MX-B016 (f/2.0, Hemispheric 180° x 180°)	Mx-Q26A-6D016	Mx-Q26A-6N016
Hardware	Q26A Day Complete Camera	Q26A Night Complete Camera
Image sensor with individual exposure zones	Color	Black & White
Light sensitivity in lux at 1/60 s and 1/1 s	0.1/0.005	0.02/0.001
Image sensor (color or B/W sensor)	1/1.8" CMOS, 6MP (3072 x 2048), Progressive Scan	
Microprocessor	i.MX 6 Dual Core incl. GPU (1 GB RAM, 512 MB Flash)	
H.264 Hardware Codec	Yes, bandwidth limitation available; output image format up to QXGA	
Protection classes	IP66 and IK10 (IK10 with Vandalism Set)	
Intended use	Not for use in hazardous areas (Ex area)	
Ambient temperature (range, incl. storage)	-40 to 50°C/-40 to 122°F (cold boot from -30°C/-22°F)	
Internal DVR, ex works	4 GB (microSD)	
Microphone/speaker	Yes/Yes	
16bit/16kHz HD wideband audio (Opus codec)	Yes (live and audio messages)	
Passive infrared sensor (PIR)	No	
Temperature sensor	Yes (live and audio messages)	
Shock detector (tamper detection)	Yes	

Hardware	Q26A Day Complete Camera	Q26A Night Complete Camera
Power consumption (typically at 20°C/68°F)	5 watts	
PoE Class (IEEE 802.3af)	Class 2 or 3 (variable), factory setting: class 3	
Interfaces Ethernet 100BaseT/MxBus/USB	Yes (MxRJ45)/No/Yes	
Interface RS232	With accessory (MX-232-IO-Box)	
Mounting options	Wall, ceiling or floor	
Dimensions (height x diameter)	48 x 160 mm	
Weight	350 g	
Housing	Fixed Dome, PBT-30GF, color: white	
Standard delivery	Screws, dowels, Allen wrench, Torx wrench, 0,5 m Ethernet patch cable, Quick Install	
Detailed technical documentation	www.mobotix.com > Support > Download Center	
Online version of this document	www.mobotix.com > Support > Download Center	
MTBF	> 80,000 hours	
Certifications	EN55022:2010; EN55024:2010; EN50121-4:2006 EN61000-6-1:2007; EN 61000-6-2:2005 EN61000-6-3:2007+A1:2011 EN61000-6-4:2007+A1:2011 AS/ NZS CISPR22:2009+A1:2010 CFR47 FCC part15B	
Protocols	IPv4, IPv6, HTTP, HTTPS, FTP, FTPS, SFTP, RTP, RTSP, UDP, SNMP, SMTP, DHCP (client and server), NTP (client and server), SIP (client and server) G.711 (PCMA and PCMU) and G.722	
Manufacturer's warranty (since May 2018)	3 years	

Technical Specifications

MOBOTIX Q26A Hemispheric

Image Formats, Frame Rates, Image Storage	Q26A Day Complete Camera	Q26A Night Complete Camera
Available video codecs	MxPEG/MJPEG/H.264	
Image formats	Freely configurable format 4:3, 8:3, 16:9 or customized format (Image Cropping), such as 2592x1944 (5MP), 2048x1536 (QXGA), 1920x1080 (Full-HD), 1280x960 (MEGA)	
Multistreaming	Yes	
Multicast stream via RTSP	Yes	
Max. image format	6MP (3072 x 2048)	
Max. frame rate (fps, only single core used)	MxPEG: 42@HD(1280x720), 34@Full-HD, 24@QXGA, 15@5MP, 12@6MP MJPEG: 26@HD(1280x720), 13@Full-HD, 9@QXGA, 5@5MP, 4@6MP H.264: 25@Full-HD, 20@QXGA	
Number of images with 4 GB microSD (internal DVR)	CIF: 250.000, VGA: 125.000, HD: 40.000, QXGA: 20.000, 6MP: 10.000	



General Functions	Q26A Day Complete Camera	Q26A Night Complete Camera
Digital zoom and pan	Yes	
ONVIF compatibility	Yes (Profile S, audio support with camera firmware V5.2.x and higher)	
Genetec protocol integration	Yes	
Programmable exposure zones	Yes	
Snapshot recording (pre/post-alarm images)	Yes	
Continuous recording with audio	Yes	
Event recording with audio	Yes	
Time controlled flexible event logic	Yes	
Weekly schedules for recordings and actions	Yes	
Event video and image transfer via FTP and email	Yes	
Playback and QuadView via web browser	Yes	
Bidirectional audio in browser	Yes	
Animated logos on the image	Yes	
Master/Slave functionality	Yes	
Privacy zone scheduling	Yes	
Customized voice messages	Yes	
VoIP telephony (audio, alert)	Yes	
Remote alarm notification (network message)	Yes	

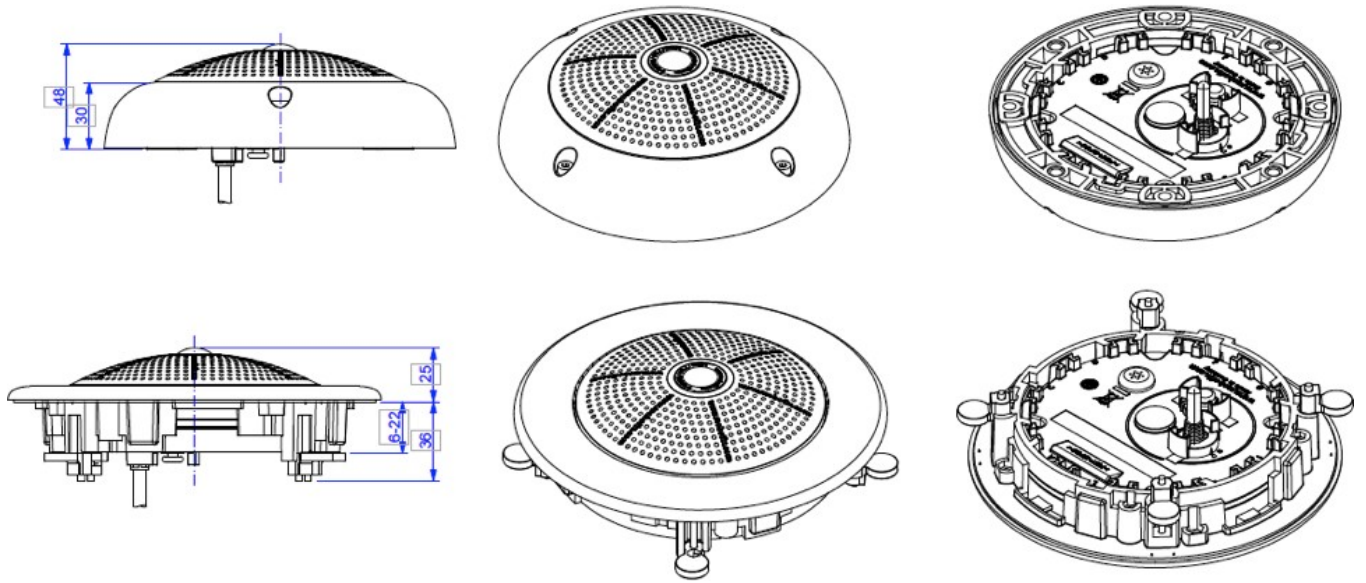
Technical Specifications

MOBOTIX Q26A Hemispheric

General Functions	Q26A Day Complete Camera	Q26A Night Complete Camera
Programming interface (HTTP-API)	Yes	
DVR	Inside camera via microSD card, externally via USB device and NAS, different streams for live image and recording, MxFFS with archive function, pre-alarm and post-alarm images, monitoring recording with failure reporting	
Camera and data security	User and group management, SSL connections, IP-based access control, IEEE802.1x, intrusion detection, digital image signature	
MxMessageSystem: Sending and receiving of MxMessages	Yes	
Video Analysis	Q26A Day Complete Camera	Q26A Night Complete Camera
Video Motion Sensor	Yes	
MxActivitySensor	Yes	
MxAnalytics	Yes (Heatmaps, counting corridors and behavioral detection)	
Video Management Software	Q26A Day Complete Camera	Q26A Night Complete Camera
MxManagementCenter	Yes	
Mobile MOBOTIX App	Yes	

Technical Specifications

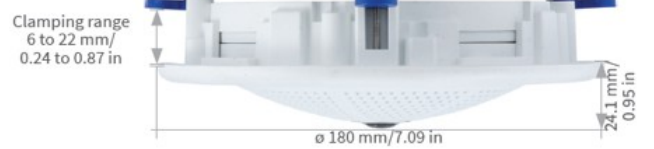
MOBOTIX Q26A Hemispheric



Q26 without accessories



Cavity Wall Installation Set



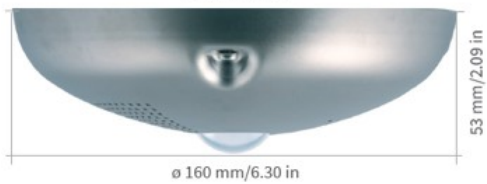
On-Wall Set



On-Wall Set 10°



Vandalism Kit



Outdoor Wall Mount



MOBOTIX

BeyondHumanVision

[EN_11/21](#)

MOBOTIX AG • Kaiserstrasse • D-67722 Langmeil • Tel.: +49 6302 9816-103 • sales@mobotix.com • www.mobotix.com

MOBOTIX is a trademark of MOBOTIX AG registered in the European Union, the U.S.A., and in other countries. Subject to change without notice. MOBOTIX do not assume any liability for technical or editorial errors or omissions contained herein. All rights reserved. © MOBOTIX AG 2019